

ZM 126



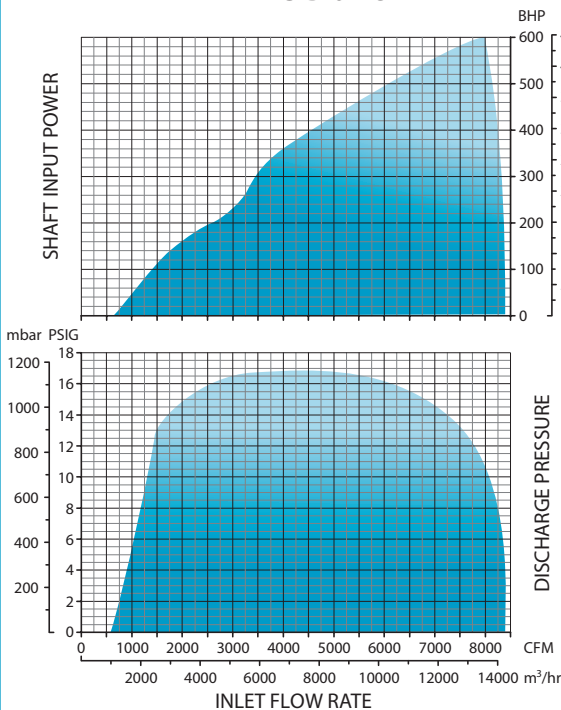
Atlas Copco

MULTISTAGE CENTRIFUGAL BLOWERS

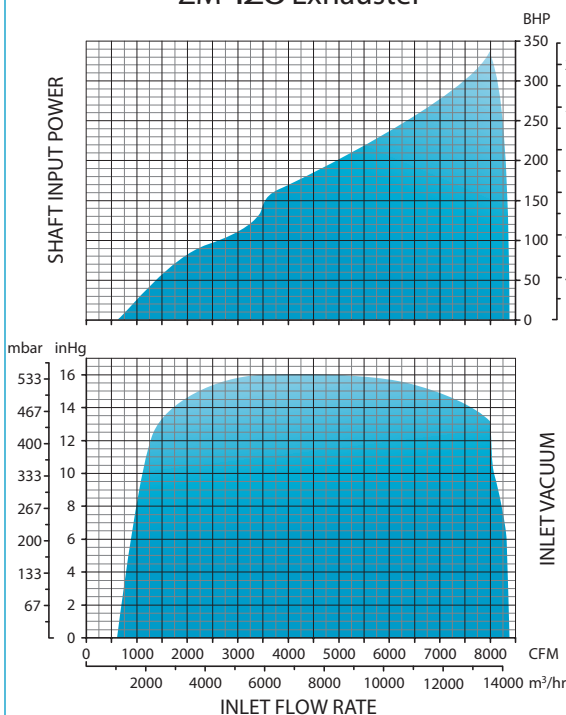
General Performance

Specifications Standard

ZM 126 Blower



ZM 126 Exhauster



Technical Data

Number of Stages	1 to 9 (60 Hz)
Inlet Connection	12" flange, ASA 125# / ANSI 150# drilling Optional DIN 300 adapter flange
Outlet Connection	12" flange, ASA 125# / ANSI 150# drilling Optional DIN 300 adapter flange
Operating Speed	Fixed speed 3550 RPM (60 Hz), 2960 RPM (50 Hz) Variable speed option available
Casing Pressure	25 PSIG (1.7 bar)
Seals (air)	Labyrinth type
Seals (gas)	OPTi Seal/ Stuffing box type/ Carbon ring type/ Custom available
Bearings	Ball, 10-year minimum life per AFBMA L ₁₀ standard
Lubrication	Oil or Grease
Impeller Diameter	25.00 in (635.0 mm)
Impeller Tip Speed	387 ft/s (118 m/s) @ 3550 RPM
First Critical Speed	4552 RPM (9-stage)
Drive Type	Direct coupled or Belt driven, Inlet driven (standard) or Outlet driven
Shaft End	2.375 in (60.32 mm) diameter at coupling
Vibration Tolerance25 in/s (6.4 mm/s) ISO overall specification, 1.25 mils (0.03 mm) peak to peak
Rotor Balance	Military standard 167-1. Individual impellers and rotating assembly dynamically balanced

Materials of Construction

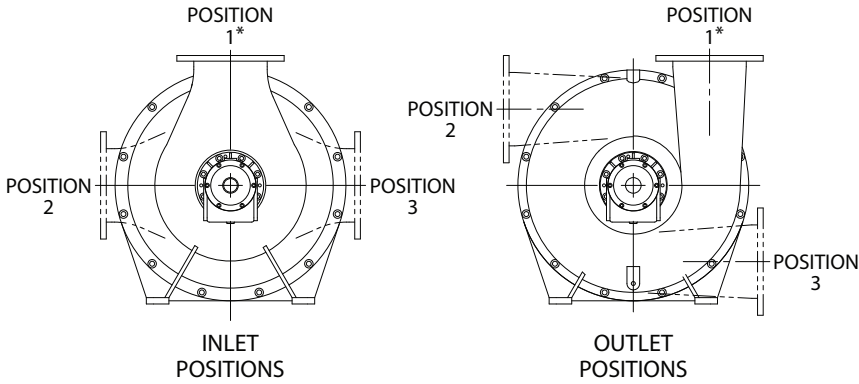
Casing	Cast iron ASTM A48 grade 25/30
Bearing Caps & Housings... ..	Cast iron ASTM A48 grade 25/30
Oil Reservoir	Cast iron ASTM A48 grade 25/30
Shaft	Carbon steel AISI 4140 (stainless steel available)
Impellers	Cast aluminum ANSI AA319/356 or fabricated aluminum ANSI AA6061 with cast Al AA356 hub (stainless steel/custom alloys available)
Seals (air)	Cast Iron ASTM A48 grade 30 with lead babbitt insert Zinc-Alloy, ZA-12
Seals (gas)	Stainless Steel with Viton Elastomer, isostatically molded high density fine grain electro-graphite
Interstage Baffle Rings	Stainless steel ASTM A240 304
Tie Rods75 in (19.1 mm) diameter, high strength steel ASTM A193-B7/B7M available
Blower Base	Welded structural steel ASTM A36 ASME/AWS D1.1
Motor Pedestal	Welded steel plate ASTM A36
Joint Sealing Compound... ..	RTV silicone
Base Isolation Pads	Neoprene rubber
Finish	Standard 2 part epoxy, 7011 Atlas Copco Dark Gray

Curves are based on atmospheric conditions of 1 Atm, 68F/20C, 36% RH, and 3550 rpm

ZM126 MULTISTAGE CENTRIFUGAL BLOWER

Inlet and Outlet Orientation Options

The orientation of the inlet and outlet is selectable from any of three different positions, as viewed when facing the exterior of the part:



*Standard configuration.

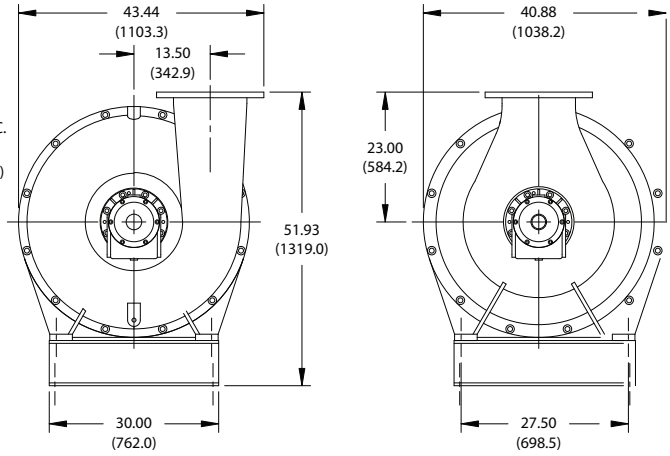
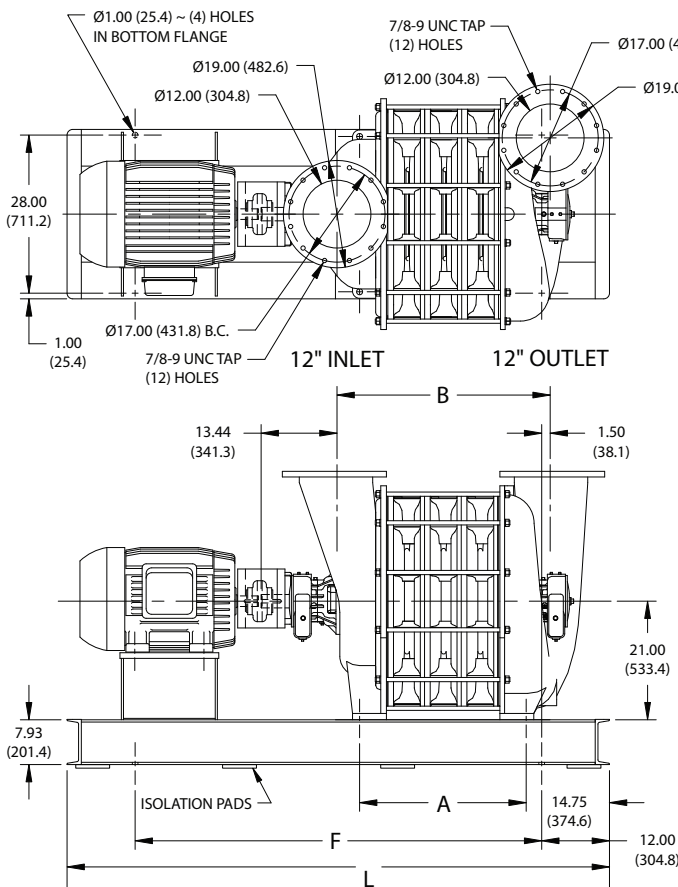
Weight and Inertia

Model	Weight*		Wk ² †	
	lb	kg	lb-ft ²	kg-m ²
12601	2150	975	7	0.29
12602	2700	1225	13	0.55
12603	3350	1520	19	0.80
12604	3900	1769	25	1.05
12605	4450	2018	31	1.31
12606	5100	2313	37	1.56
12607	5500	2495	43	1.81
12608	5950	2699	49	2.06
12609	5950	2699	49	2.06

*Approximate weight for blower only.

† Inertia based on fabricated impellers.

General Arrangement



Model	Dimensions*			
	A	B	F [†]	L [†]
12601	10.00 (254)	18.25 (464)	48 (1219)	86 (2184)
12602	16.50 (419)	24.75 (629)	60 (1524)	99 (2595)
12603	23.00 (584)	31.25 (794)	72 (1829)	96 (2438)
12604	29.50 (749)	37.75 (959)	84 (2134)	115 (2921)
12605	36.00 (914)	44.25 (1124)	96 (2438)	130 (3302)
12606	42.50 (1080)	50.75 (1289)	96 (2438)	130 (3302)
12607	49.00 (1245)	57.25 (1454)	108 (2743)	144 (3658)
12608	55.50 (1410)	63.75 (1619)	108 (2743)	144 (3658)
12609	55.50 (1410)	63.75 (1619)	108 (2743)	144 (3658)

*Dimensions in inches and (millimeters) and are approximate. Do not use for construction purposes.

† Dimension may vary depending on motor frame size.

Atlas Copco

www.atlascopco.us
www.encyclopedia.com



E-TS-ZM126-001, REV 00 11/28/2012