

# 383

## SPECIFICATIONS

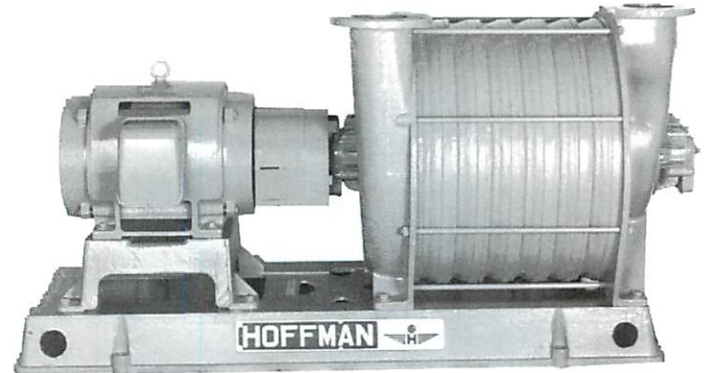
### TECHNICAL DATA

- Number of stages:** 1 through 9 (10 for 50 Hz).  
**Inlet connection:** 6" (152mm) flange, ANSI 125# drilling.  
**Outlet connection:** 6" (152mm) flange, ANSI 125# drilling.  
**Operating speed:** 3550 RPM.  
**Seals (air):** Two carbon rings each end.  
**Seals (gas):** Two carbon rings each end with inert gas taps.  
**Bearings:** Ball, 10 year minimum life per AFBMA L<sub>10</sub> standards.  
**Lubrication:** Grease standard (oil system available).  
**Impeller diameter:** 22" (559mm) or 24" (610mm).  
**Impeller tip speed:** 341 FPS or 372 FPS.  
**First critical speed:** 4319 RPM (9 stage).  
**Direct drive:** Yes, also available for gear drive.  
**Vibration tolerance:** 0.28"/sec (7.1mm/sec).  
**Shaft end:** 1-5/8" (41mm) diameter, outlet end drive standard.  
**Rotor balance:** Impellers are statically balanced individually. Complete rotating assemblies are dynamically balanced.  
**Maximum casing pressure:** 25 PSIG.

### DIMENSIONS

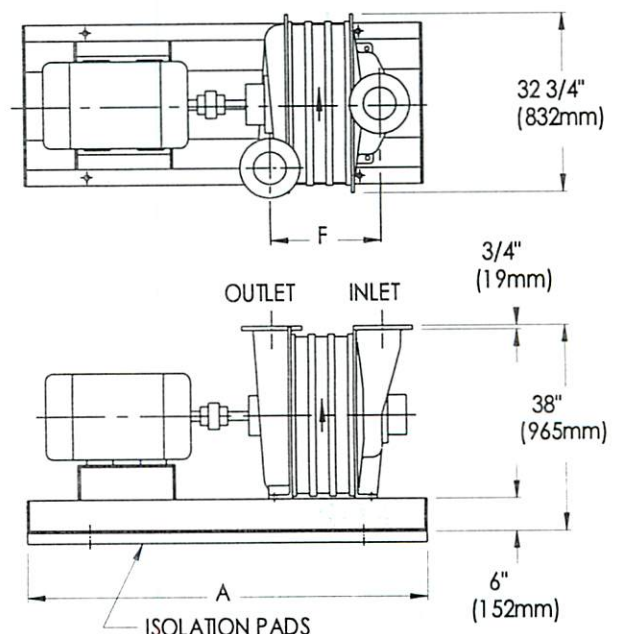
Model	A Inches (mm)	F Inches (mm)	Weight		Rotor WK <sup>2</sup> (lb. ft. <sup>2</sup> )
			LBS	KG	
38301	48" (1219)	9-1/4" (235)	1250	567	7
38302	60" (1524)	12-7/8" (327)	1400	635	14
38303	60" (1524)	16-1/2" (420)	1550	703	21
38304	72" (1829)	20-1/8" (512)	1945	883	28
38305	72" (1829)	23-3/4" (604)	2120	962	35
38306	84" (2134)	27-3/8" (696)	2375	1077	41
38307	84" (2134)	31" (788)	2520	1143	49
38308	84" (2134)	34-5/8" (879)	2700	1225	55
38309	96" (2438)	38-1/4" (972)	2880	1306	62

Information is approximate, subject to change, and not to be used for construction purposes.

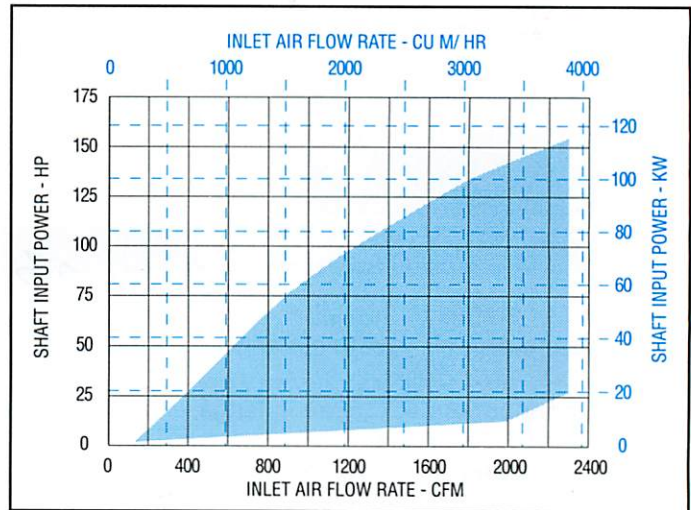
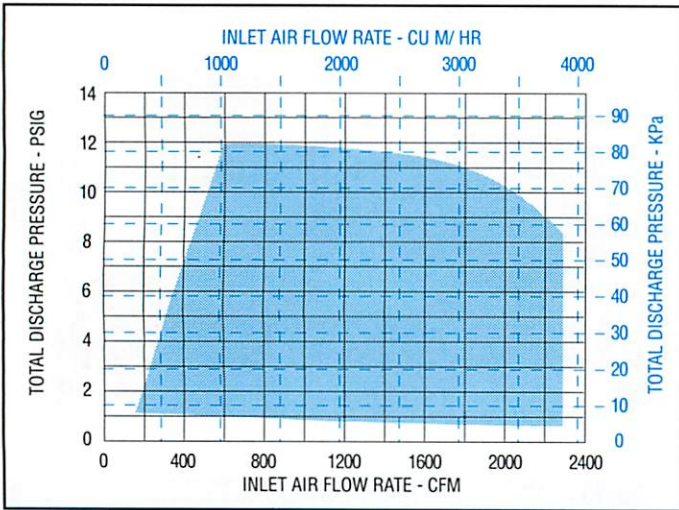


### MATERIALS OF CONSTRUCTION

- Casing:** Heads, Sections and Bearing Housing: Cast Iron ASTM, A48 Class 30.  
**Tie rods:** 3/4" (19mm) diameter cold drawn steel.  
**Joint sealing compound:** RTV silicone.  
**Shaft:** Carbon steel, AISI 1045 (stainless steel available).  
**Impellers:** Cast aluminum. Heresite and other coatings for special applications.  
**Base:** Fabricated steel.  
**Motor pedestal:** Fabricated steel.  
**Finish:** Blue enamel over rust inhibitive primer.  
**Base pads:** Cork strips.  
**Interstage baffles:** AISI 300 Series Stainless Steel.

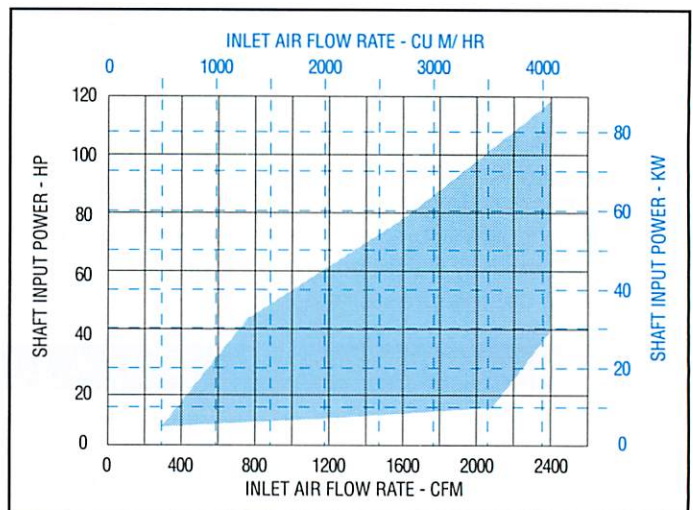
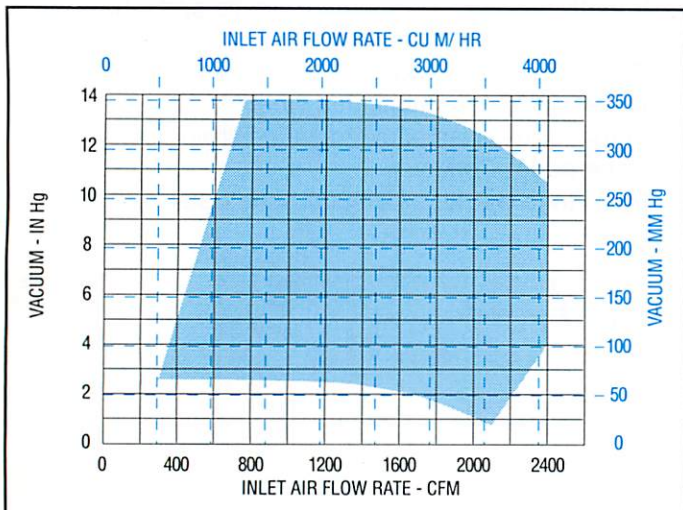


## APPROXIMATE BLOWER PERFORMANCE



Inlet conditions: 14.7 PSIA (101.4 KPa), 68°F (20°C), 36% RH. Speed: 3550 RPM.

## APPROXIMATE EXHAUSTER PERFORMANCE



Atmospheric conditions: 29.9" Hg (760 mm Hg), 68°F (20°C), 36% RH. Speed: 3550 RPM.



### HOFFMAN AIR & FILTRATION SYSTEMS

6181 THOMPSON RD. • P.O. BOX 548 • E. SYRACUSE, NY 13057-0548

PHONE: (315) 432-8600 • FAX: (315) 432-8682

E-MAIL: [hoffman.air@btrinc.com](mailto:hoffman.air@btrinc.com) • WEB: <http://www.hoffmanair.com>

ISO 9001  
REGISTERED



FM 30949

