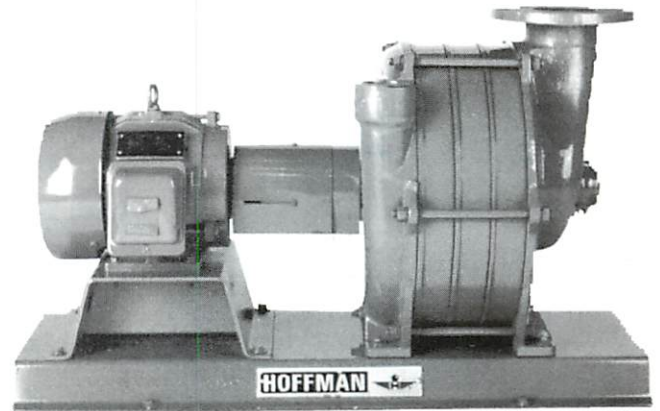


# 40 SPECIFICATIONS

## TECHNICAL DATA

- Number of stages:** 1 through 10 (11 for 50 Hz).  
**Inlet connection:** 4" (102mm) flange, ANSI 125# drilling.  
**Outlet connection:** 2-1/2" (64mm) F.P.T.  
**Operating speed:** 3450 RPM.  
**Seals (air):** Felt seal inlet end.  
**Seals (gas):** Two carbon rings on outlet end and inert gas purge taps on the inlet end.  
**Bearings:** Ball, 10 year minimum life per AFBMA L<sub>10</sub> standards.  
**Lubrication:** Grease standard.  
**Impeller diameter:** 14" (356mm).  
**Impeller tip speed:** 217 FPS (66m/sec).  
**First critical speed:** 4791 RPM (10 stage).  
**Direct drive:** Yes, also available for V-belt drive.  
**Vibration tolerance:** 0.28"/sec (7.1mm/sec).  
**Shaft end:** 7/8" (23mm) diameter, outlet end drive standard.  
**Rotor balance:** Impellers are statically balanced individually. Complete rotating assemblies are dynamically balanced.



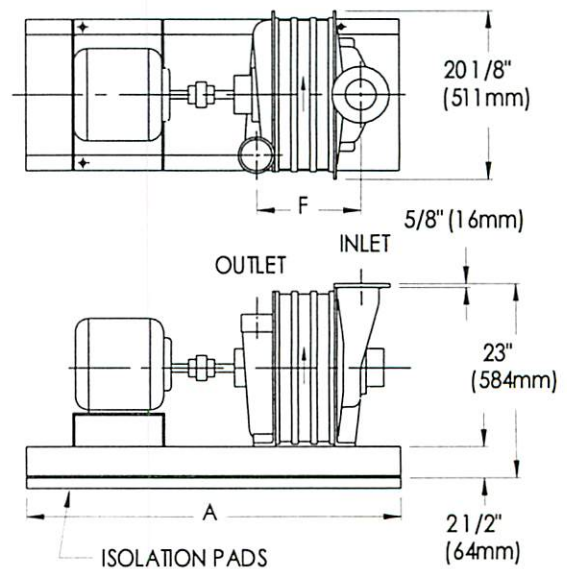
## MATERIALS OF CONSTRUCTION

- Casing:** Heads and Bearing Housing: Cast Iron ASTM A48, Class 30;  
 Sections: Cast aluminum.  
**Tie rods:** 1/2" (13mm) diameter cold drawn steel.  
**Section sealing:** RTV silicone.  
**Shaft:** Carbon steel, AISI 1045 (stainless steel available).  
**Impellers:** Cast aluminum. Heresite and other coatings for special applications.  
**Base:** Formed steel.  
**Motor pedestal:** Formed plate.  
**Finish:** Blue enamel over rust inhibitive primer.  
**Base pads:** Cork strips.

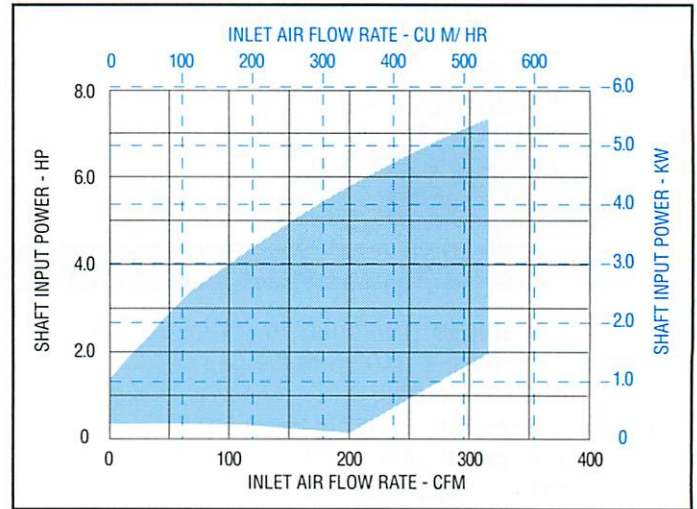
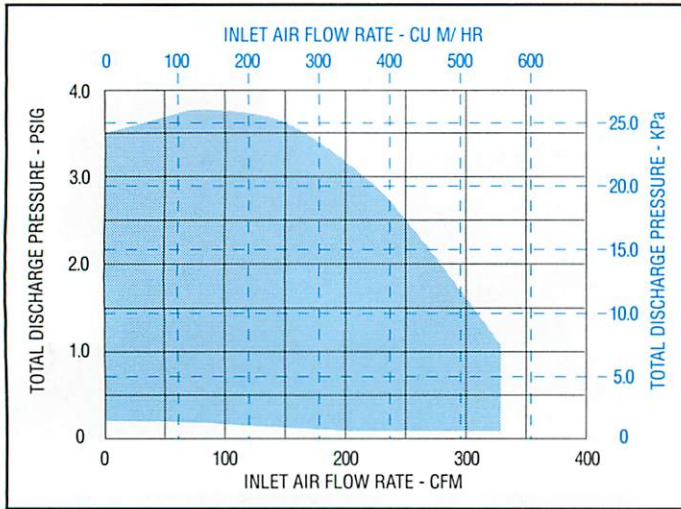
## DIMENSIONS

Model	A Inches (mm)	F Inches (mm)	Weight		Rotor WK <sup>2</sup> (lb. ft. <sup>2</sup> )
			LBS	KG	
4001A	32" (813)	5" (127)	300	136	1
4002A	32" (813)	7-1/16" (180)	350	159	2
4003A	38" (965)	9-1/8" (232)	405	184	3
4004A	38" (965)	11-3/16" (285)	450	204	4
4005A	38" (965)	13-1/4" (337)	495	225	5
4006A	44" (1118)	15-5/16" (389)	540	242	6
4007A	44" (1118)	17-3/8" (442)	585	265	7
4008A	49" (1245)	19-7/16" (494)	630	286	8
4009A	49" (1245)	21-1/2" (547)	675	306	9
4010A	56" (1423)	23-9/16" (599)	720	327	10

Information is approximate, subject to change and not to be used for construction purposes.

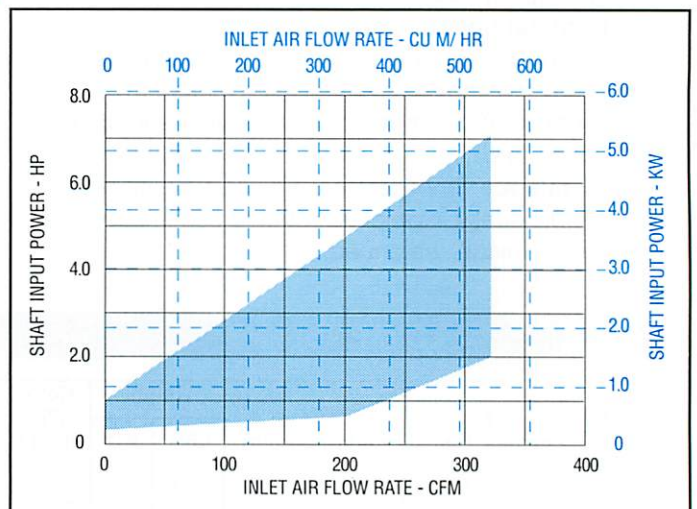
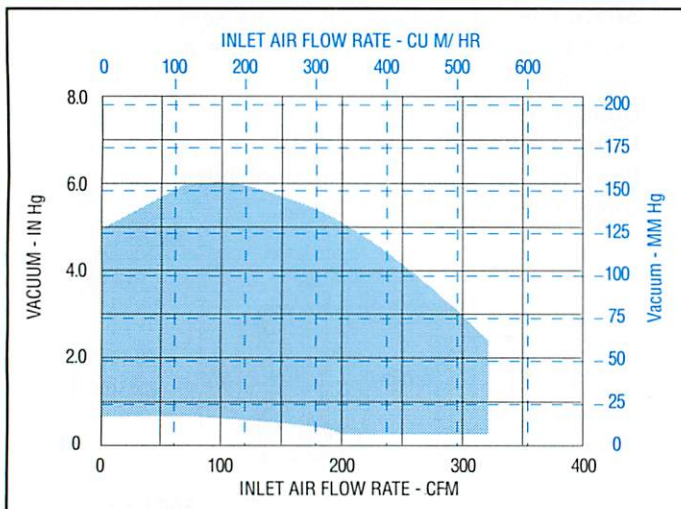


## APPROXIMATE BLOWER PERFORMANCE



Inlet conditions: 14.7 PSIA (101.4 KPa), 68°F (20°C), 36% RH. Speed: 3450 RPM.

## APPROXIMATE EXHAUSTER PERFORMANCE



Atmospheric conditions: 29.9" Hg (760 mm Hg), 68°F (20°C), 36% RH. Speed: 3450 RPM.



### HOFFMAN AIR & FILTRATION SYSTEMS

6181 THOMPSON RD. • P.O. BOX 548 • E. SYRACUSE, NY 13057-0548

PHONE: (315) 432-8600 • FAX: (315) 432-8682

E-MAIL: [hoffman.air@btrinc.com](mailto:hoffman.air@btrinc.com) • WEB: <http://www.hoffmanair.com>

ISO 9001  
REGISTERED



FM 30949

