

42

SPECIFICATIONS

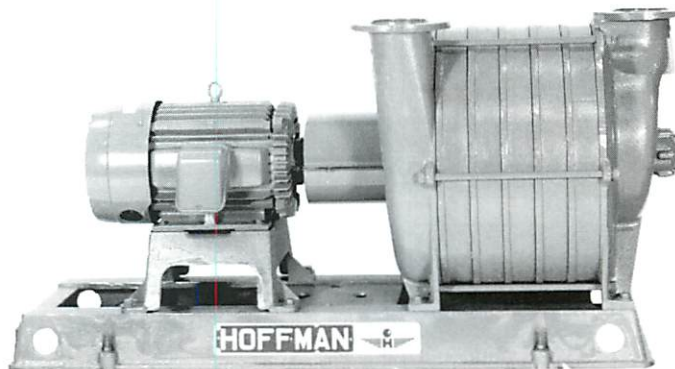
TECHNICAL DATA

- Number of stages:** 1 through 8 (9 for 50 Hz).
- Inlet connection:** 6" (152mm) flange, ANSI 125# drilling.
- Outlet connection:** 6" (152mm) flange, ANSI 125# drilling.
- Operating speed:** 3550 RPM.
- Seals (air):** One carbon ring inlet end, two carbon rings outlet end.
- Seals (gas):** Two carbon rings each end with inert gas purge taps on the inlet end.
- Bearings:** Ball, 10 year minimum life per AFBMA L₁₀ standards.
- Lubrication:** Grease standard (oil system available).
- Impeller diameter:** 24" (610mm).
- Impeller tip speed:** 372 FPS.
- First critical speed:** 4635 RPM (8 stage);
- Direct drive:** Yes, also available for gear drive or belt drive.
- Vibration tolerance:** 0.28"/sec (7.1mm/sec).
- Shaft end:** 1-1/16" (27mm) diameter, outlet end drive standard.
- Rotor balance:** Impellers are statically balanced individually. Complete rotating assemblies are dynamically balanced.
- Maximum Casing Pressure:** 25 PSIG.

DIMENSIONS

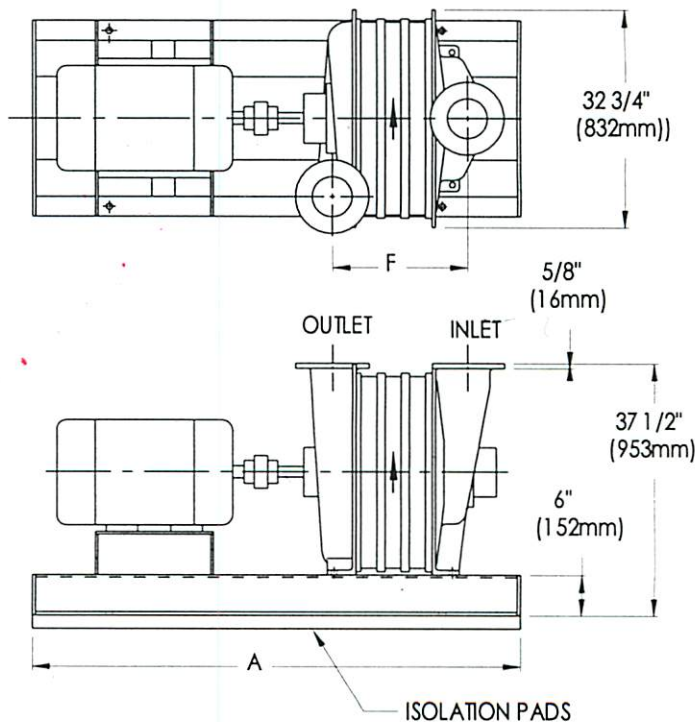
Model	A Inches (mm)	F Inches (mm)	Weight		Rotor WK ² (lb. ft. ²)
			LBS	KG	
4201A	48" (1220)	9-1/4" (235)	940	426	8
4202A	48" (1220)	12-11/16" (322)	1135	515	17
4203A	60" (1524)	16-1/8" (410)	1335	606	25
4204A	60" (1524)	19-9/16" (497)	1545	701	33
4205A	72" (1829)	23" (585)	1750	794	42
4206A	72" (1829)	26-7/16" (672)	1940	880	50
4207A	72" (1829)	29-7/8" (759)	2140	971	59
4208A	84" (2134)	33-5/16" (846)	2330	1057	67

Information is approximate, subject to change, and not to be used for construction purposes.

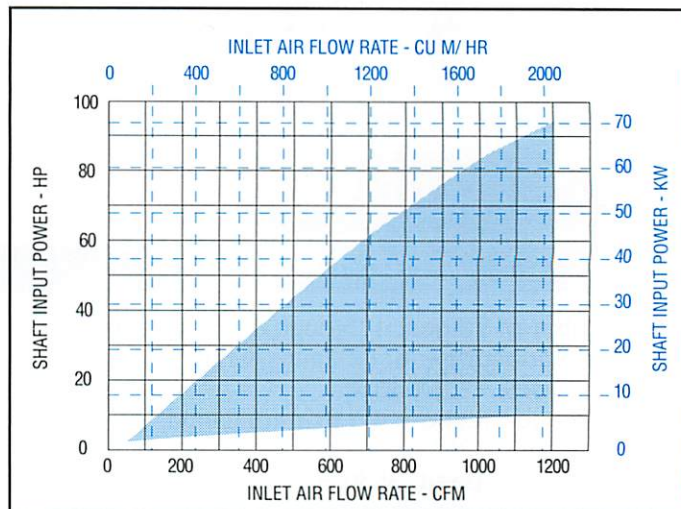
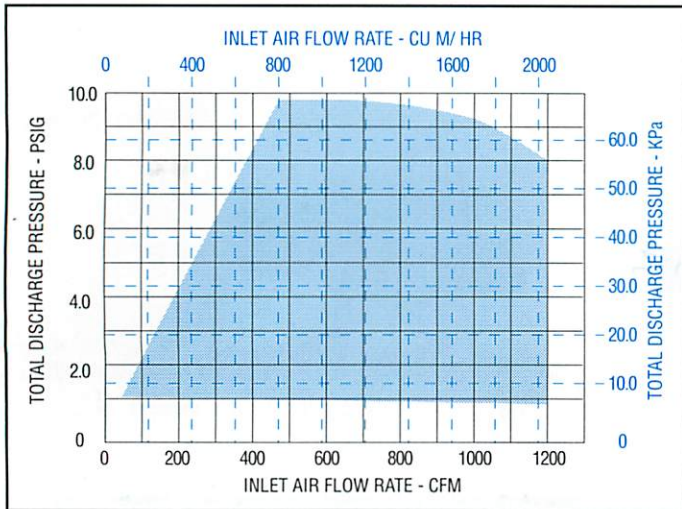


MATERIALS OF CONSTRUCTION

- Casing:** Heads, Sections and Bearing Housing: Cast Iron ASTM A48, Class 30.
- Tie rods:** 3/4" (19mm) diameter cold drawn steel.
- Joint sealing compound:** RTV silicone.
- Shaft:** Carbon steel, AISI 1045 (stainless steel available).
- Impellers:** Cast aluminum. Heresite and other coatings for special applications.
- Base:** Fabricated steel.
- Motor pedestal:** Fabricated steel.
- Finish:** Blue enamel over rust inhibitive primer.
- Base pads:** Cork strips.

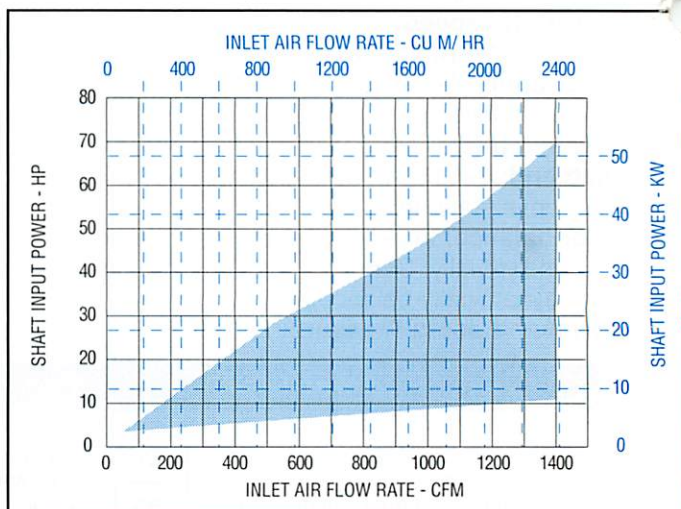
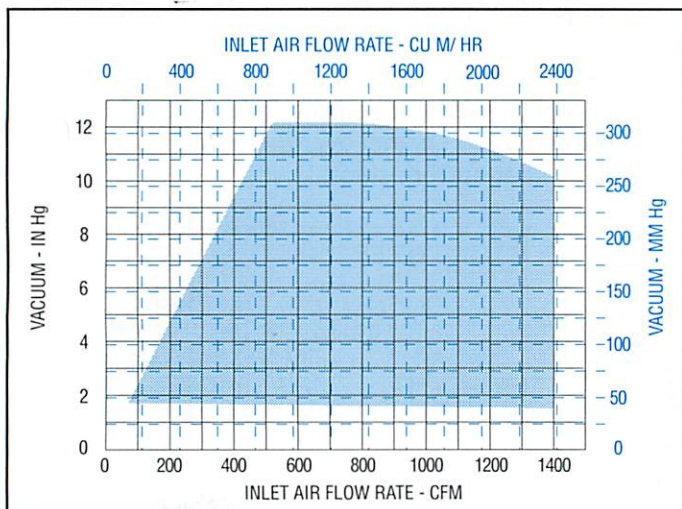


APPROXIMATE BLOWER PERFORMANCE



Inlet conditions: 14.7 PSIA (101.4 KPa), 68°F (20°C), 36% RH. Speed: 3550 RPM.

APPROXIMATE EXHAUSTER PERFORMANCE



Atmospheric conditions: 29.9" Hg (760 mm Hg), 68°F (20°C), 36% RH. Speed: 3550 RPM.



HOFFMAN AIR & FILTRATION SYSTEMS

6181 THOMPSON RD. • P.O. BOX 548 • E. SYRACUSE, NY 13057-0548

PHONE: (315) 432-8600 • FAX: (315) 432-8682

E-MAIL: hoffman.air@btrinc.com • WEB: http://www.hoffmanair.com

ISO 9001 REGISTERED



FM 30949

