

671

SPECIFICATIONS

TECHNICAL DATA

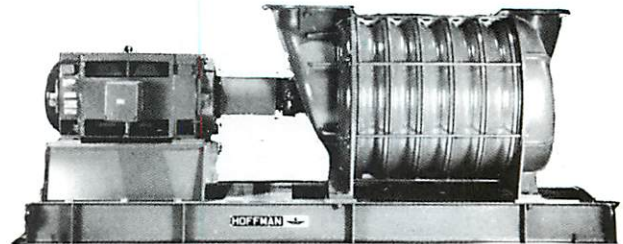
- Number of stages:** 1 through 7 (8 for 50 Hz).
- Inlet connection:** 20" (508mm) flange, ANSI 125# drilling.
- Outlet connection:** 18" (457mm) flange, ANSI 125# drilling.
- Operating speed:** 3570 RPM.
- Seals (air):** Two carbon rings each end.
- Seals (gas):** Four carbon rings each end with inert gas injection taps.
- Bearings:** Ball, 10 year minimum life per AFBMA L₁₀ standards.
- Lubrication:** Oil System.
- Impeller diameter:** 28-3/4" (756mm).
- Impeller tip speed:** 387 FPS (118m/sec.).
- First critical speed:** 4325 RPM (7 stage).
- Direct drive:** Yes, also available for gear drive.
- Vibration tolerance:** 0.28"/sec (7.1mm/sec).
- Shaft end:** 2-7/8" (73mm) diameter, inlet end drive standard.
- Balance piston:** Supplied on 3 stage and above units.
- Rotor balance:** Impellers are statically balanced individually. Complete rotating assemblies are dynamically balanced.
- Maximum casing pressure:** 25 PSIG.

DIMENSIONS

MODEL	F Inches (mm)	WEIGHT		ROTOR *WK ² (lb. ft. ²)
		LBS	KG	
67101	29" (737)	5040	2286	43
67102	38-1/8" (969)	6330	2871	84
67103	47-1/4" (1200)	7630	3460	124
67104	56-3/8" (1432)	8920	4046	165
67105	65-1/2" (1664)	10150	4603	206
67106	74-5/8" (1897)	11390	5166	247
67107	83-3/4" (2128)	12650	5750	165

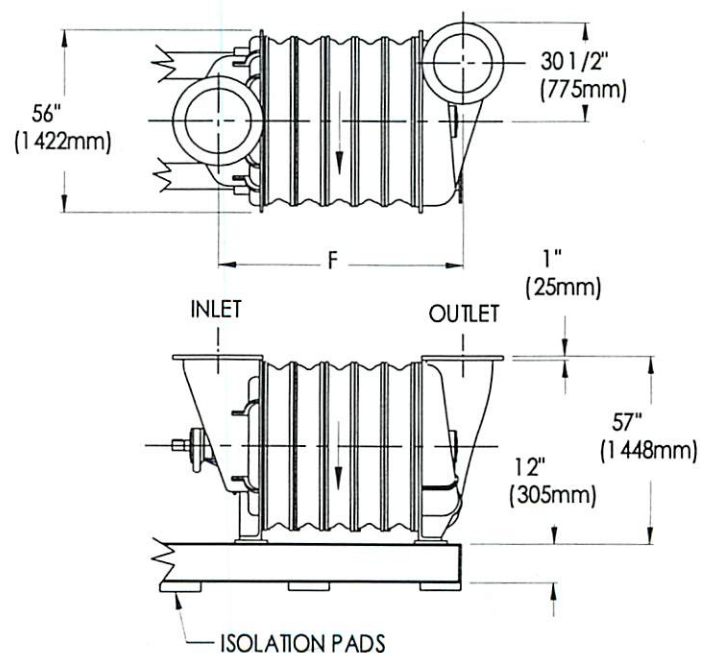
Information is approximate, subject to change, and not to be used for construction purposes.

* Based on data for cast impellers through six stages. Fabricated impeller data on 67107.

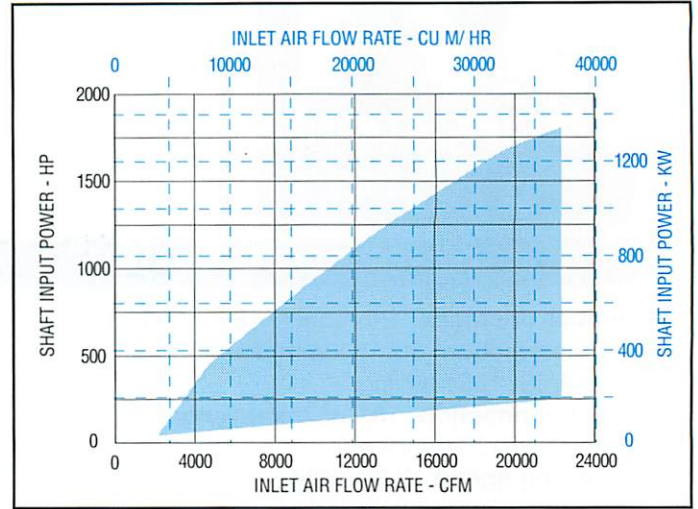
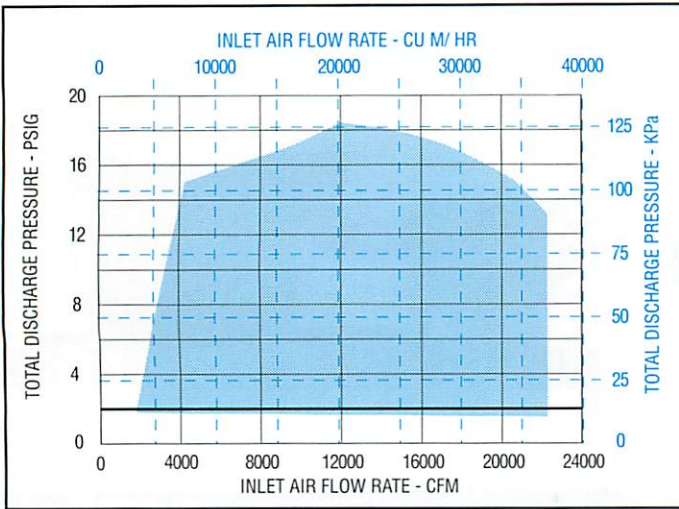


MATERIALS OF CONSTRUCTION

- Casing:** Heads, Sections and Bearing Housing: Cast Iron ASTM A48, Class 30.
- Tie rods:** 7/8"(22mm) Diameter cold drawn steel.
- Joint sealing compound:** RTV Silicone.
- Shaft:** Carbon steel, AISI 1045 (stainless steel available).
- Impellers:** Cast or fabricated aluminum (cast hub). Fabricated stainless steel or other alloy construction and special coatings available.
- Base:** Structural steel.
- Motor pedestal:** Welded steel plate.
- Finish:** Blue enamel over rust inhibitive primer.
- Base pads:** Korfund Elasto-rib (or equal).
- Interstage baffles:** AISI 300 Series Stainless Steel.

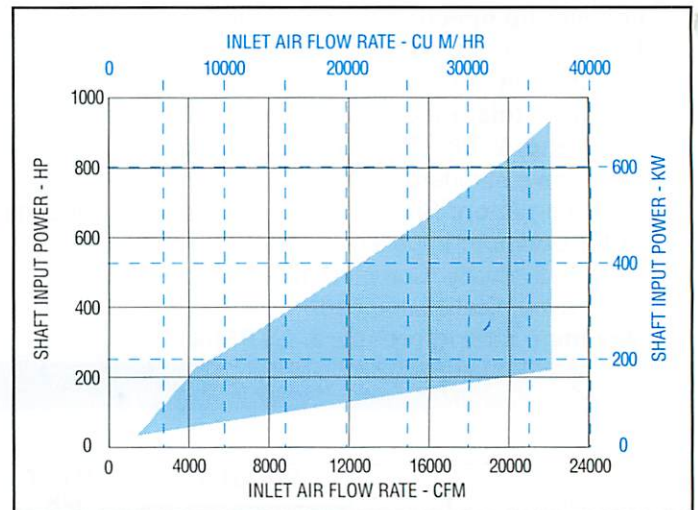
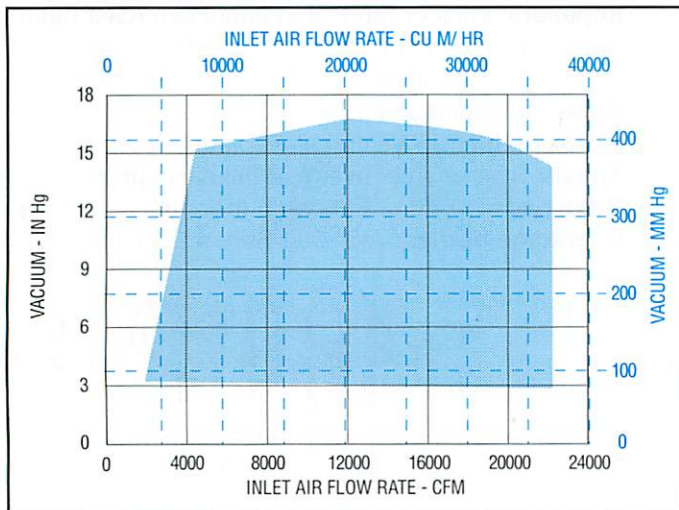


APPROXIMATE BLOWER PERFORMANCE



Inlet conditions: 14.7 PSIA (101.4 KPa), 68°F (20°C), 36% RH. Speed: 3570 RPM.

APPROXIMATE EXHAUSTER PERFORMANCE



Atmospheric conditions: 29.9" Hg (760 mm Hg), 68°F (20°C), 36% RH. Speed: 3570 RPM.



HOFFMAN AIR & FILTRATION SYSTEMS

6181 THOMPSON RD. • P.O. BOX 548 • E. SYRACUSE, NY 13057-0548

PHONE: (315) 432-8600 • FAX: (315) 432-8682

E-MAIL: hoffman.air@btrinc.com • WEB: <http://www.hoffmanair.com>

ISO 9001 REGISTERED



FM 30949

