

691

SPECIFICATIONS

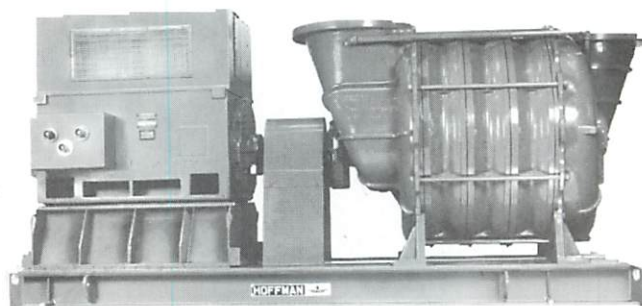
TECHNICAL DATA

- Number of stages:** 1 through 5 (6 for 50 Hz)
Inlet connection: 30" (762mm) flange, ANSI 125# drilling.
Outlet connection: 24" (610mm) flange, ANSI 125# drilling.
Operating speed: 3570 RPM.
Seals (air): Two carbon rings each end.
Seals (gas): Four carbon rings each end with inert gas injection taps.
Bearings: Ball, 10 year minimum life per AFBMA L₁₀ standards.
Lubrication: Oil system.
Impeller diameter: 37" (940 mm).
Impeller tip speed: 576 FPS (176 m/sec).
First critical speed: 4356 RPM (5 stage).
Direct drive: Yes, also available for gear drive.
Vibration tolerance: 0.28"/sec (7.1 mm/sec).
Shaft end: 3-5/8" (92mm) diameter, inlet and drive standard.
Rotor balance: Impellers are statically balanced individually. Complete rotating assemblies are dynamically balanced.
Maximum casing pressure: 25 PSIG.
Balance piston: All Stages.

DIMENSIONS

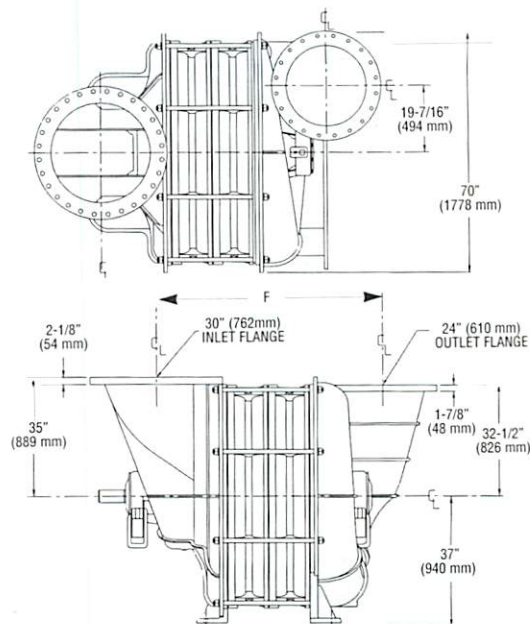
MODEL	F		WEIGHT		ROTOR WK ² (lb. ft. ²)
	Inches	(mm)	LBS	KG	
69101	42"	(1067)	10750	4876	129
69102	54"	(1372)	13900	6305	213
69103	66"	(1677)	17050	7734	298
69104	78"	(1982)	20200	9163	383
69105	90"	(2286)	23350	10592	467
69106	102"	(2591)	26000	11794	551

Information is approximate, subject to change, and not to be used for construction purposes.

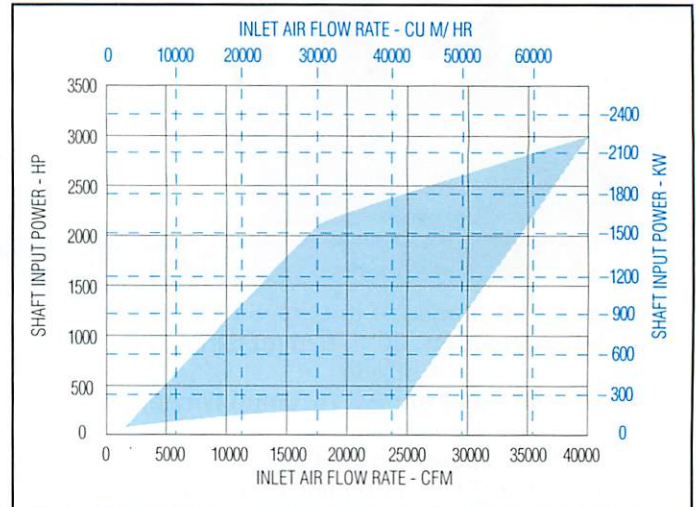
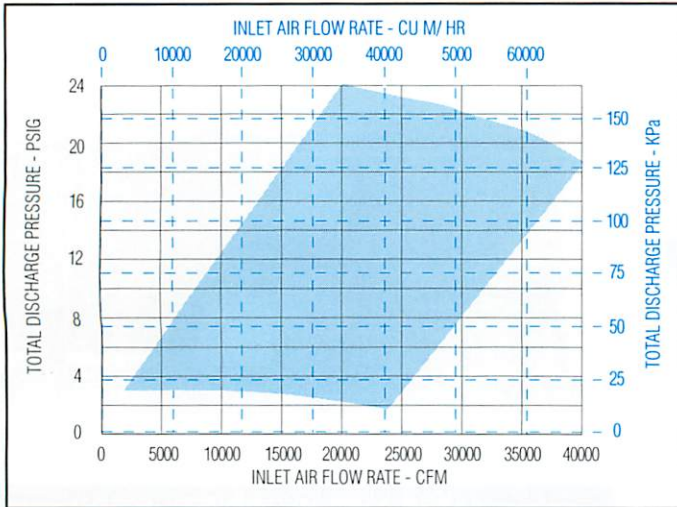


MATERIALS OF CONSTRUCTION

- Casing:** Heads, Sections and Bearing Housing: Cast Iron ASTM A-48, Class 30.
Tie rods: Cold drawn steel.
Joint sealing compound: RTV silicone.
Shaft: Carbon steel, AISI 4150 (stainless steel available).
Impellers: Fabricated aluminum (cast hub). Fabricated stainless steel or other alloy construction and special coatings available.
Base: Structural steel.
Motor pedestal: Welded steel plate.
Finish: Blue enamel over zinc oxide primer.
Base pads: Korfund Elasto-rib (or equal).
Interstage baffles: AISI 300 Series Stainless Steel.

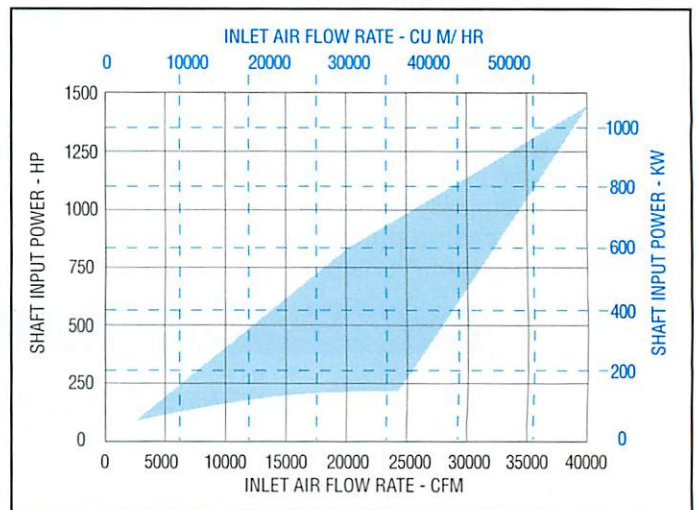
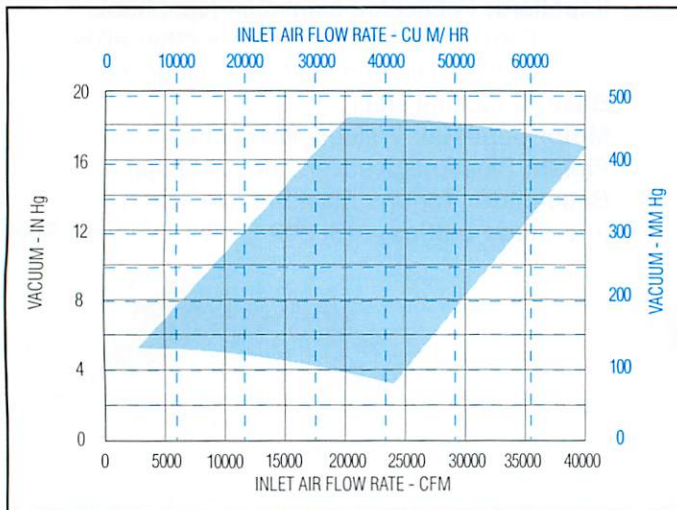


APPROXIMATE BLOWER PERFORMANCE



Inlet conditions: 14.7 PSIA (101.4 KPa), 68°F (20°C), 36% RH. Speed: 3550 RPM.

APPROXIMATE EXHAUSTER PERFORMANCE



Atmospheric conditions: 29.9" Hg (760 mm Hg), 68°F (20°C), 36% RH. Speed: 3550 RPM.



HOFFMAN AIR & FILTRATION SYSTEMS

6181 THOMPSON RD. • P.O. BOX 548 • E. SYRACUSE, NY 13057-0548

PHONE: (315) 432-8600 • FAX: (315) 432-8682

E-MAIL: hoffman.air@btrinc.com • WEB: <http://www.hoffmanair.com>

ISO 9001
REGISTERED



FM 30949

