

# 751

## SPECIFICATIONS

### TECHNICAL DATA

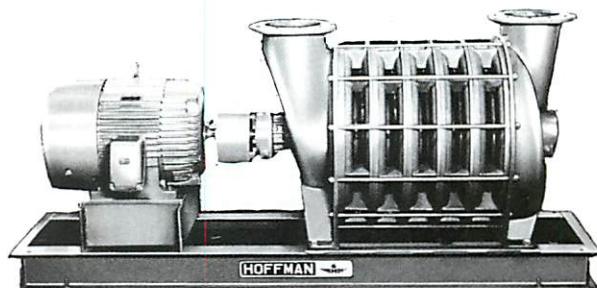
- Number of stages:** 1 through 7 (8 for 50 Hz).
- Inlet connection:** 12" (305mm) flange,  
ANSI 125# drilling.
- Outlet connection:** 12" (305mm) flange,  
ANSI 125# drilling.
- Operating speed:** 3550 RPM.
- Seals (air):** Two carbon rings each end.
- Seals (gas):** Four carbon rings each end with inert  
gas injection taps.
- Bearings:** Ball, 10 year minimum life per AFBMA  
L<sub>10</sub> standards.
- Lubrication:** Oil system.
- Impeller diameter:** 25" (635mm).
- Impeller tip speed:** 387 FPS (118m/sec).
- First critical speed:** 4326 RPM (7 stage).
- Direct drive:** Yes, also available for gear drive.
- Vibration tolerance:** 0.28"/sec (7.1mm/sec).
- Shaft end:** 2-3/8" (60mm) diameter, inlet end  
drive standard.
- Rotor balance:** Impellers are statically balanced  
individually. Complete rotating assemblies are  
dynamically balanced.
- Maximum casing pressure:** 25 PSIG.

### DIMENSIONS

MODEL	A Inches (mm)	F Inches (mm)	WEIGHT		ROTOR *WK <sup>2</sup> (lb. ft. <sup>2</sup> )
			LBS	KG	
75101A	72" (1829)	18-1/2" (464)	2150	975	7
75102A	72" (1829)	24-3/4" (629)	2700	1225	13
75103A	84" (2134)	31-1/4" (789)	3350	1520	19
75104A	96" (2439)	37-3/4" (959)	3900	1770	25
75105A	96" (2439)	44-1/4" (1124)	4450	2014	31
75106A	108" (2744)	50-3/4" (1289)	5100	2314	37
75107A	114" (2896)	57-3/4" (1455)	5500	2495	43

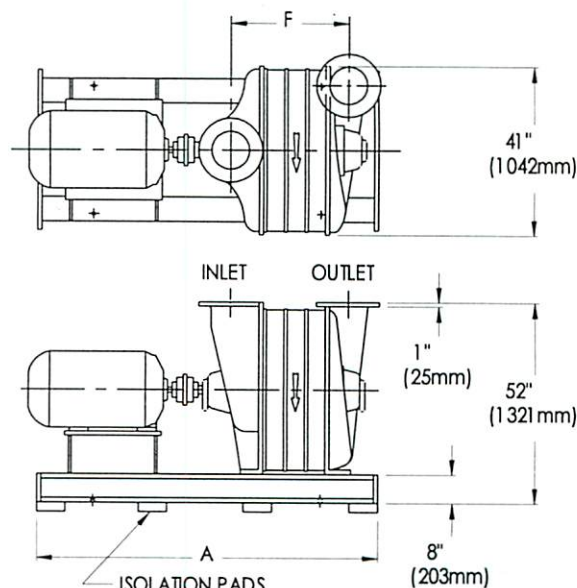
Information is approximate, subject to change, and not to be used for construction purposes.

\* Based on fabricated impellers.



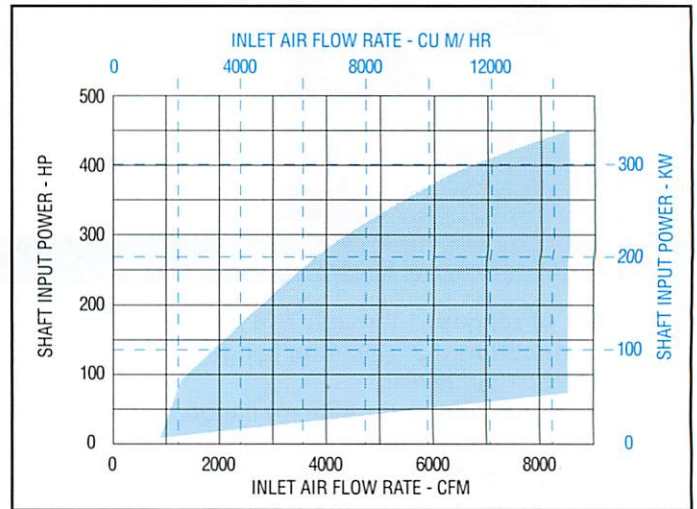
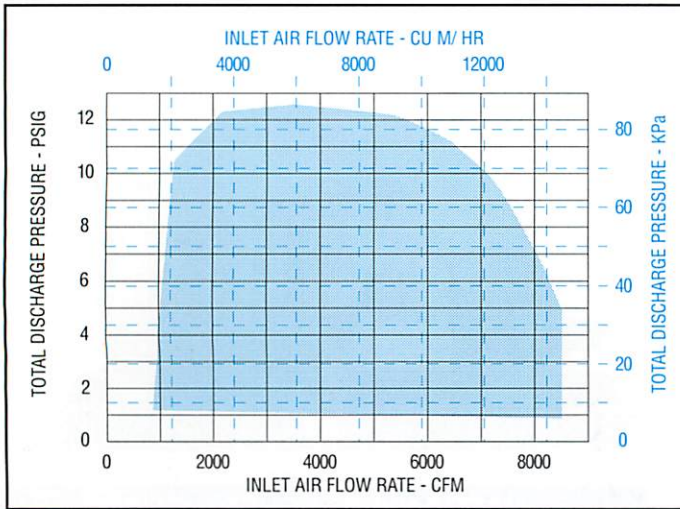
### MATERIALS OF CONSTRUCTION

- Casing:** Heads, Sections and Bearing Housing:  
Cast Iron ASTM A48, Class 30.
- Tie rods:** 3/4" (19mm) diameter cold drawn steel.
- Joint sealing compound:** RTV silicone.
- Shaft:** Carbon steel, AISI 1045 (stainless steel available).
- Impellers:** Cast or fabricated aluminum (cast hub).  
Fabricated stainless steel or other alloy  
construction and special coatings available.
- Base:** Structural steel.
- Motor pedestal:** Welded steel plate.
- Finish:** Blue enamel over rust inhibitive primer.
- Base pads:** Korfund Elasto-rib (or equal).
- Interstage baffles:** AISI 300 Series Stainless Steel.



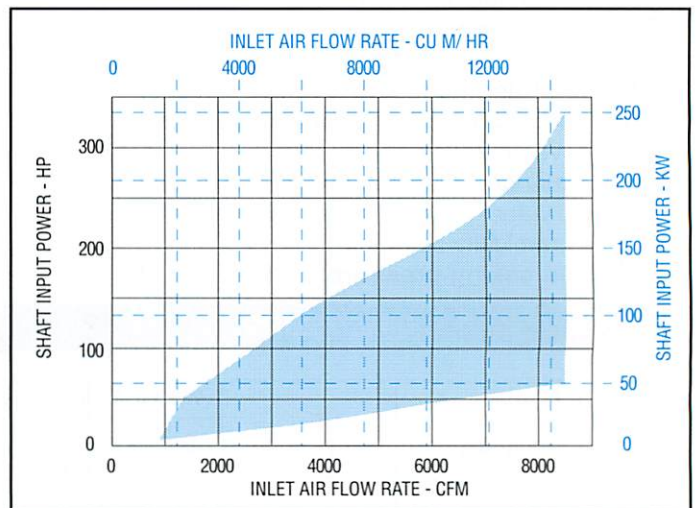
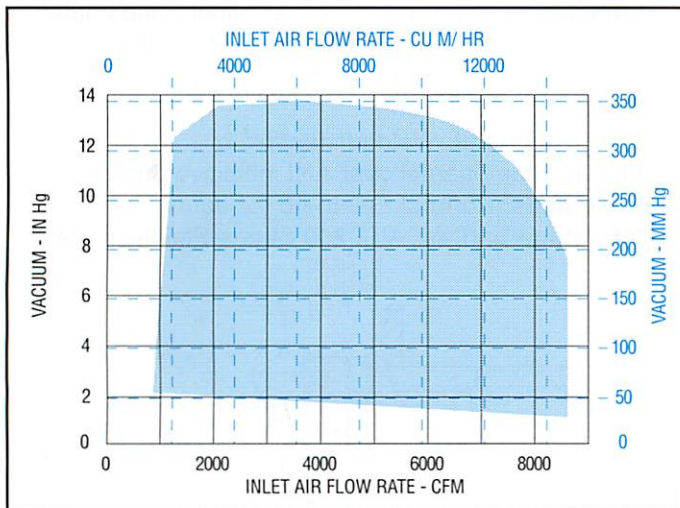
# 751

## APPROXIMATE BLOWER PERFORMANCE



Inlet conditions: 14.7 PSIA (101.4 KPa), 68°F (20°C), 36% RH. Speed: 3550 RPM.

## APPROXIMATE EXHAUSTER PERFORMANCE



Atmospheric conditions: 29.9" Hg (760 mm Hg), 68°F (20°C), 36% RH. Speed: 3550 RPM.



### HOFFMAN AIR & FILTRATION SYSTEMS

6181 THOMPSON RD. • P.O. BOX 548 • E. SYRACUSE, NY 13057-0548

PHONE: (315) 432-8600 • FAX: (315) 432-8682

E-MAIL: [hoffman.air@btrinc.com](mailto:hoffman.air@btrinc.com) • WEB: <http://www.hoffmanair.com>

ISO 9001  
REGISTERED



FM 30949

