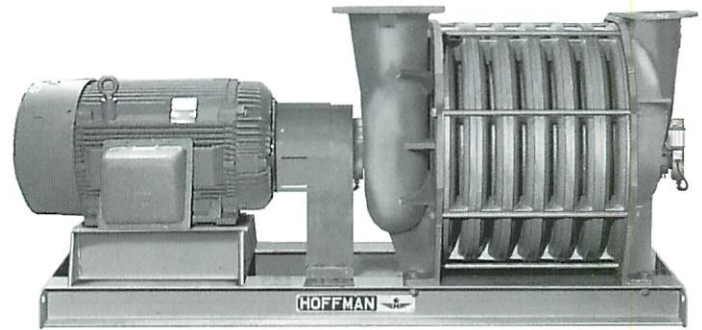


# 752

## SPECIFICATIONS

### TECHNICAL DATA

- Number of stages:** 1 through 10.
- Inlet connection:** 14" (356 mm) flange, ANSI 125# drilling.
- Outlet connection:** 10" (254 mm) flange, ANSI 125# drilling.
- Operating speed:** 3550 RPM.
- Seals (air):** Two carbon rings each end.
- Seals (gas):** Four carbon rings each end with inert gas taps.
- Bearings:** AFBMA deep groove ball bearings. ISO L<sub>10</sub> bearing life exceeds 10 years.
- Lubrication:** Oil system.
- Impeller diameter:** 25-1/2" (648 mm).
- Impeller tip speed:** 395 FPS (120MPS) at 3550 RPM.
- First critical speed:** 4250 RPM (10 stage).
- Direct Drive:** Yes, also available for gear drive.
- Vibration tolerance:** 0.28"/sec (7.1mm/sec).
- Shaft end:** 2-5/8" (66.7mm) diameter. Inlet end drive standard.
- Balance piston:** Supplied on 4-10 stage units.
- Rotor Balance:** Impellers are statically balanced individually. Complete rotating assemblies are dynamically balanced.
- Maximum casing pressure:** 25 PSIG (172 KPa)



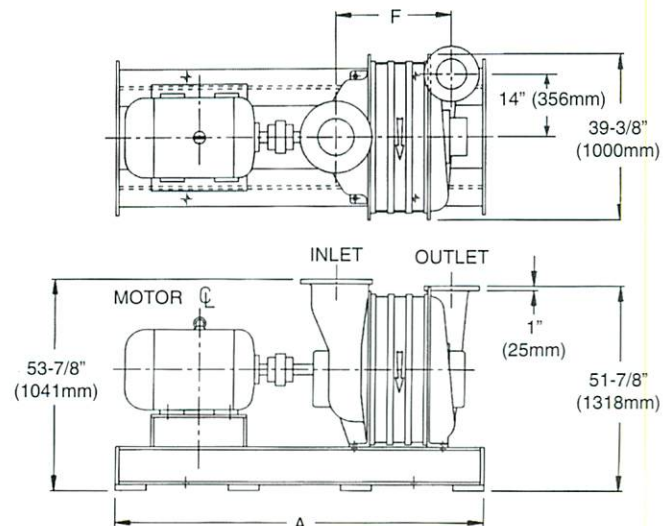
### MATERIALS OF CONSTRUCTION

- Casing:** Heads, Sections, and Bearing Housing: Cast Iron ASTM A48, Class 30
- Impellers:** Cast aluminum standard. Fabricated stainless steel or other alloy construction available.
- Heresite and other coatings available for heads, sections, and impellers.**
- Interstage Baffles:** AISI 300 Series stainless steel.
- Tie Rods:** 3/4" (19mm) cold drawn steel.
- Joint Sealing Compound:** RTV silicone.
- Shaft:** Carbon steel, AISI 1045 (stainless steel available).
- Base:** Structural steel.
- Motor Pedestal:** Welded steel plate.
- Finish:** Blue enamel over rust inhibitive primer.
- Base Pads:** Korfund Elasto-Rib pads.

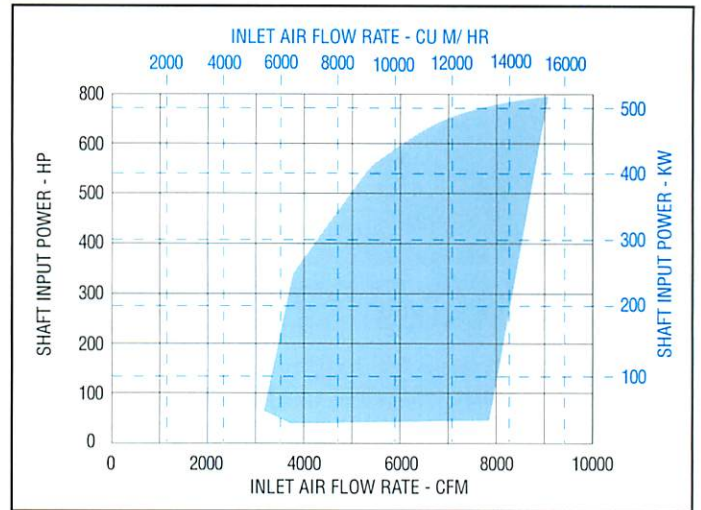
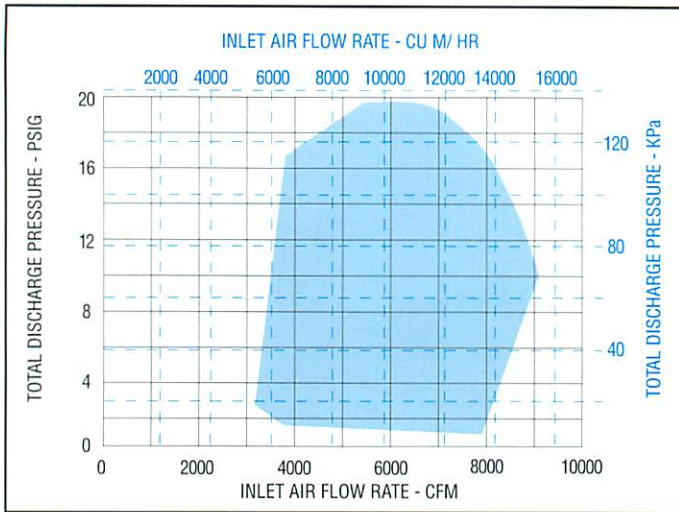
### DIMENSIONS

MODEL	A Inches (mm)	F Inches (mm)	WEIGHT		ROTOR WK <sup>2</sup> (lb. ft. <sup>2</sup> )
			LBS	KG	
75201	84" (2134)	18-1/4" (434)	2600	1179	17
75202	84" (2134)	25" (635)	3300	1497	33
75203	96" (2438)	31-3/4" (806)	4000	1814	49
75204	108" (2743)	38-1/2" (978)	4900	2223	65
75205	114" (2896)	45-1/4" (1150)	5700	2586	81
75206	126" (3200)	52" (1321)	6400	2903	97
75207	132" (3353)	58-3/4" (1492)	7300	3311	113
75208	138" (3505)	65-1/2" (1664)	8100	3764	128
75209	150" (3810)	72-1/4" (1835)	9000	4082	144
75210	156" (3962)	79 (2007)	9700	4400	156

Information is approximate, subject to change, and not to be used for construction purposes.

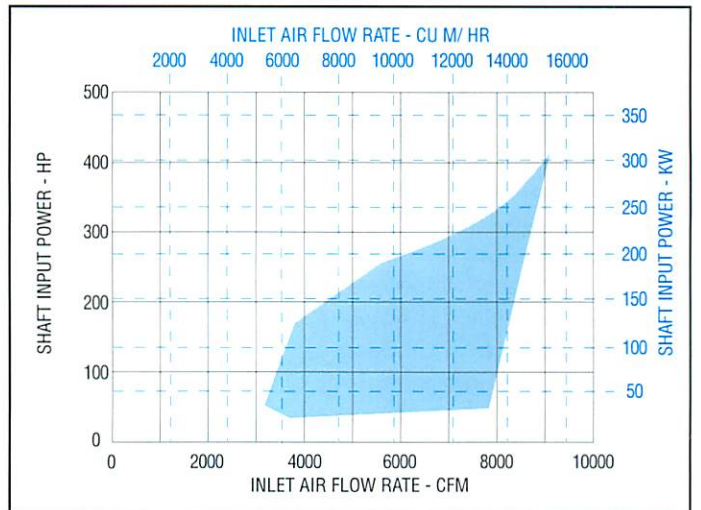
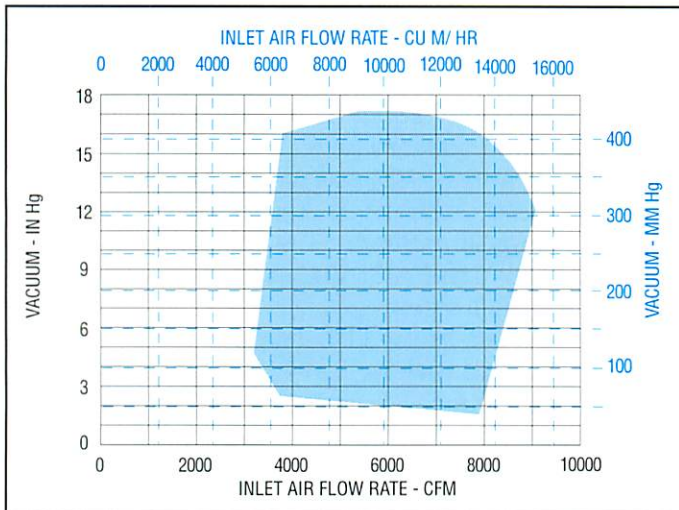


## APPROXIMATE BLOWER PERFORMANCE



Inlet conditions: 14.7 PSIA (101.4 KPa), 68°F (20°C), 36% RH. Speed: 3550 RPM.

## APPROXIMATE EXHAUSTER PERFORMANCE



Atmospheric conditions: 29.9" Hg (760 mm Hg), 68°F (20°C), 36% RH. Speed: 3550 RPM.



**invensys**  
An Invensys company

6181 THOMPSON RD. • P.O. BOX 548 • E. SYRACUSE, NY 13057-0548  
PHONE: (315) 432-8600 • (800) 258-8008 • FAX: (315) 432-8682  
E-MAIL: hoffman.air@btrinc.com • WEB: <http://www.hoffmanair.com>

