

761

SPECIFICATIONS

TECHNICAL DATA

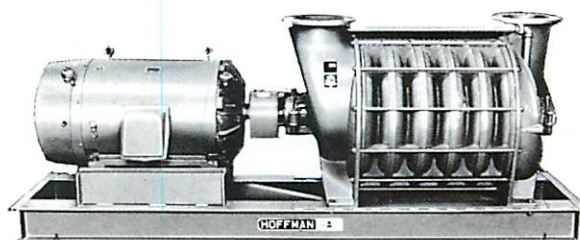
- Number of stages:** 1 through 7 (8 for 50 Hz).
Inlet connection: 14" (356mm) flange, ANSI 125# drilling.
Outlet connection: 14" (356mm) flange, ANSI 125# drilling.
Operating speed: 3550 RPM.
Seals (air): Two carbon rings each end.
Seals (gas): Four carbon rings each end with inert gas injection taps.
Bearings: Ball, 10 year minimum life per AFBMA L₁₀ standards.
Lubrication: Oil System.
Impeller diameter: 26" (660mm).
Impeller tip speed: 403 FPS (122 m/sec).
First critical speed: 4331 RPM (7 stage).
Direct drive: Yes, also available for gear drive.
Vibration tolerance: 0.28"/sec (7.1mm/sec).
Balance piston: on 5, 6, & 7 stages.
Shaft end: 2-5/8" (67mm) diameter, inlet end drive standard.
Rotor balance: Impellers are statically balanced individually. Complete rotating assemblies are dynamically balanced.
Maximum casing pressure: 25 PSIG.

DIMENSIONS

MODEL	A Inches(mm)	F Inches (mm)	WEIGHT		ROTOR *WK ² (lb. ft. ²)
			LBS	KG	
76101A	84" (2134)	22" (559)	3000	1361	9
76102A	84" (2134)	29-7/8" (759)	3800	1724	17
76103A	96" (2439)	37-3/4" (959)	5000	2268	25
76104A	96" (2439)	45-5/8" (1159)	5800	2631	33
76105A	108" (2744)	53-1/2" (1359)	6700	3040	45
76106A	120" (3048)	61-3/8" (1559)	7600	3448	53
76107A	156" (3963)	69-1/4" (1759)	8500	3856	62

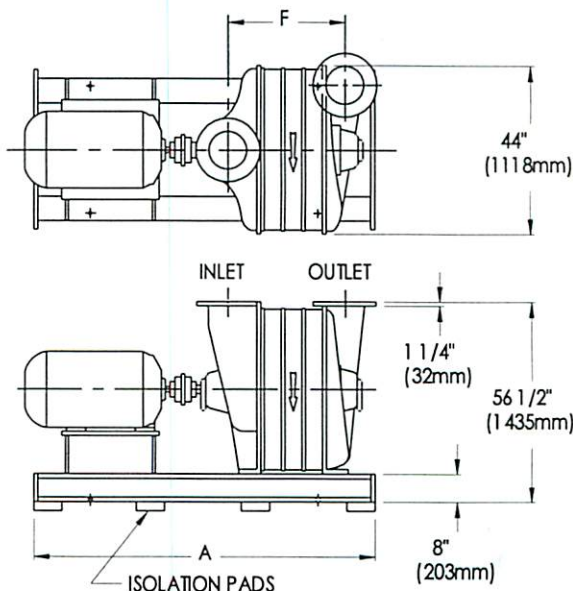
Information is approximate, subject to change, and not to be used for construction purposes.

* Based on fabricated impellers.

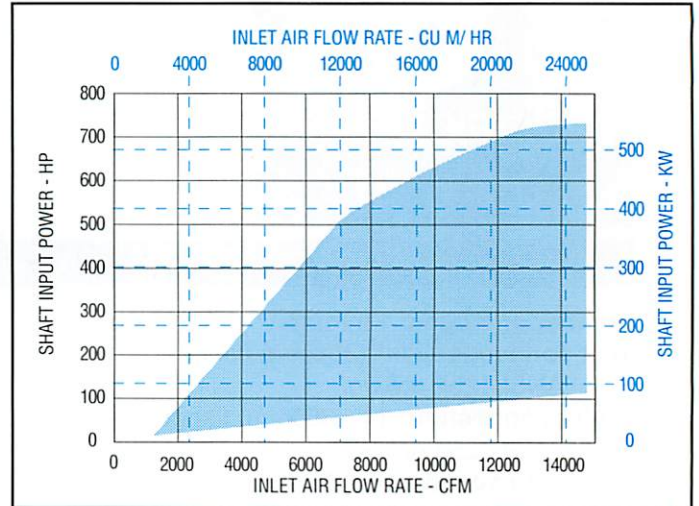
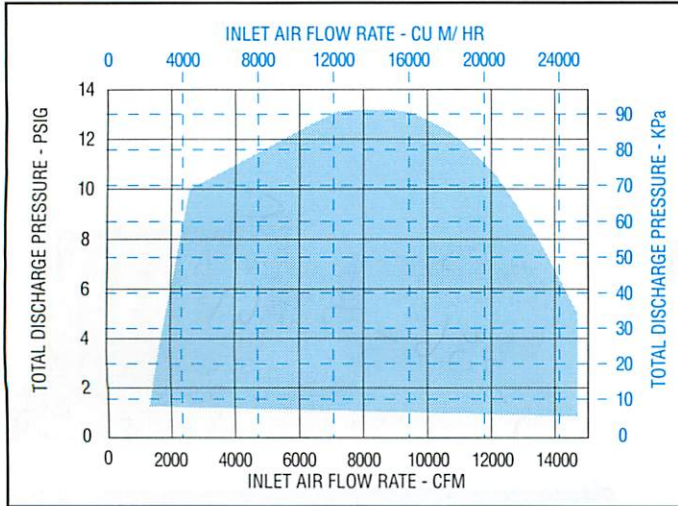


MATERIALS OF CONSTRUCTION

- Casing:** Heads, Sections and Bearing Housing: Cast Iron ASTM A48, Class 30.
Tie rods: 3/4" (19mm) diameter cold drawn steel.
Joint sealing compound: RTV silicone.
Shaft: Carbon steel, AISI 1045 (stainless steel available).
Impellers: Cast or fabricated aluminum (cast hub). Fabricated stainless steel or other alloy construction and special coatings available.
Base: Structural steel.
Motor pedestal: Welded steel plate.
Finish: Blue enamel over rust inhibitive primer.
Base pads: Korfund Elasto-rib (or equal).
Interstage baffles: AISI 300 Series Stainless Steel.

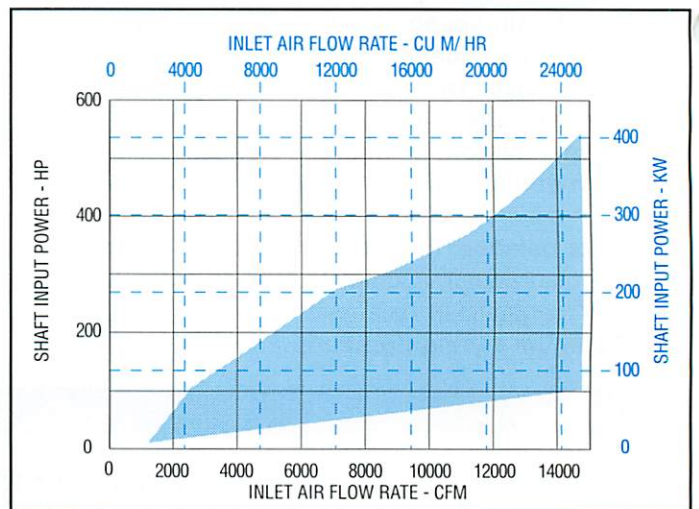
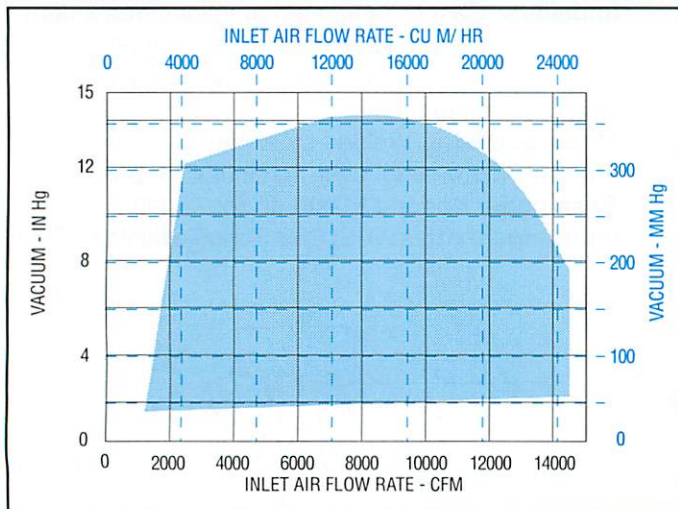


APPROXIMATE BLOWER PERFORMANCE



Inlet conditions: 14.7 PSIA (101.4 KPa), 68°F (20°C), 36% RH. Speed: 3550 RPM.

APPROXIMATE EXHAUSTER PERFORMANCE



Atmospheric conditions: 29.9" Hg (760 mm Hg), 68°F (20°C), 36% RH. Speed: 3550 RPM.



HOFFMAN AIR & FILTRATION SYSTEMS

6181 THOMPSON RD. • P.O. BOX 548 • E. SYRACUSE, NY 13057-0548

PHONE: (315) 432-8600 • FAX: (315) 432-8682

E-MAIL: hoffman.air@btrinc.com • WEB: <http://www.hoffmanair.com>

ISO 9001 REGISTERED



FM 30949

