

772

SPECIFICATIONS

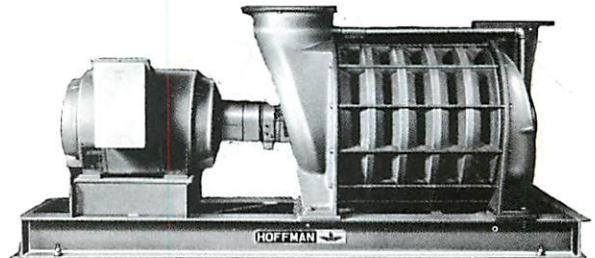
TECHNICAL DATA

- Number of stages:** 1 through 7 (8 for 50 Hz).
- Inlet connection:** 18" (457mm) flange, ANSI 125# drilling.
- Outlet connection:** 14" (356mm) flange, ANSI 125# drilling.
- Operating speed:** 3550 RPM.
- Seals (air):** Two carbon rings each end.
- Seals (gas):** Four carbon rings each end with inert gas injection taps.
- Bearings:** Ball, 10 year minimum life per AFBMA L₁₀ standards.
- Lubrication:** Oil system.
- Impeller diameter:** 26" (660mm).
- Impeller tip speed:** 403 FPS (122 m/sec).
- First critical speed:** 4321 RPM (7 stage).
- Direct drive:** Yes, also available for gear drive.
- Vibration tolerance:** 0.28"/sec (7.1mm/sec).
- Balance piston:** on 5, 6, & 7 stages.
- Shaft end:** 2-5/8" (67mm) diameter, inlet end drive standard.
- Rotor balance:** Impellers are statically balanced individually. Complete rotating assemblies are dynamically balanced.
- Maximum casing pressure:** 25 PSIG.

DIMENSIONS

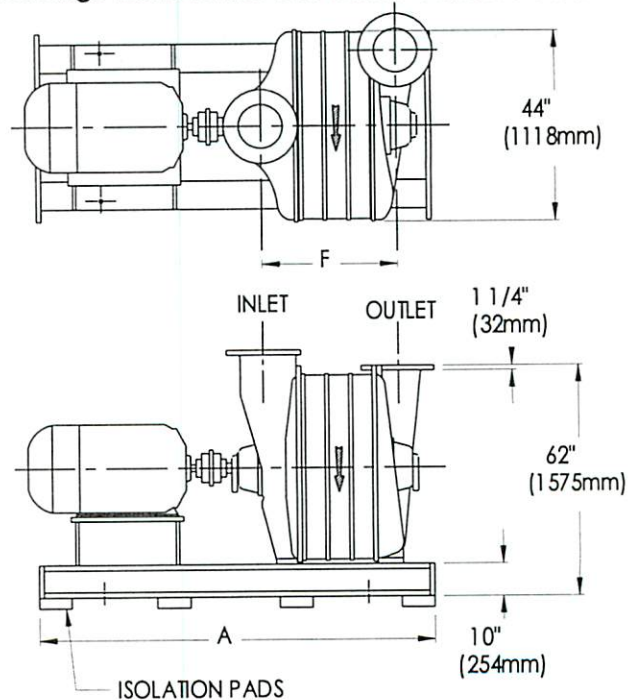
MODEL	A Inches (mm)	F Inches (mm)	WEIGHT		ROTOR WK ² (lb. ft. ²)
			LBS	KG	
77201A	84" (2134)	23-13/16" (605)	3050	1384	11
77202A	84" (2134)	31-11/16" (805)	3850	1747	21
77203A	96" (2439)	39-9/16" (1005)	5050	2291	32
77204A	108" (2744)	47-7/16" (1205)	5850	2654	42
77205A	114" (2896)	55-5/16" (1405)	6750	3062	55
77206A	126" (3201)	63-3/16" (1605)	7650	3470	65
77207A	132" (3353)	71-1/16" (1805)	8550	3879	76

Information is approximate, subject to change and not to be used for construction purposes.



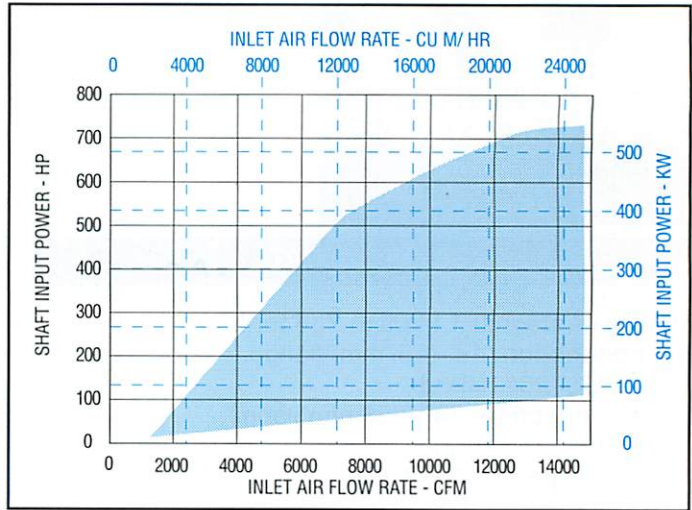
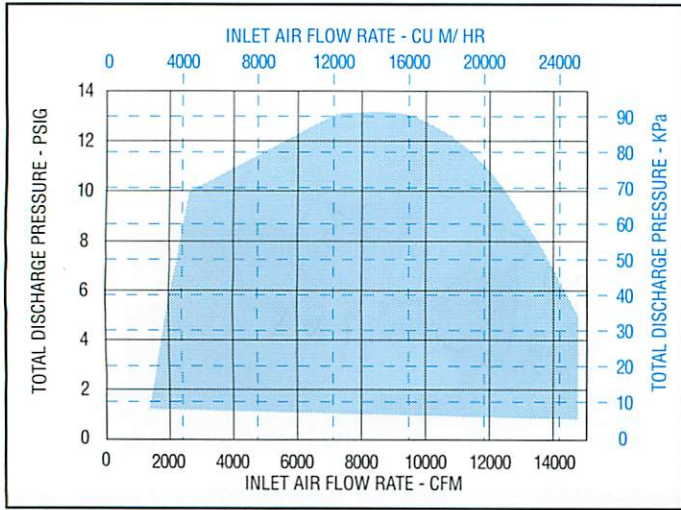
MATERIALS OF CONSTRUCTION

- Casing:** Heads, Sections and Bearing Housing: Cast Iron ASTM A48, Class 30.
- Tie rods:** 3/4" (19mm) diameter cold drawn steel.
- Joint sealing compound:** RTV silicone.
- Shaft:** Carbon steel, AISI 1045 (stainless steel available).
- Impellers:** Fabricated aluminum (cast hub). Fabricated stainless steel or other alloy construction and special coatings available.
- Base:** Structural steel.
- Motor pedestal:** Welded steel plate.
- Finish:** Blue enamel over rust inhibitive primer.
- Base pads:** Korfund Elasto-rib (or equal).
- Interstage baffles:** AISI 300 Series Stainless Steel.



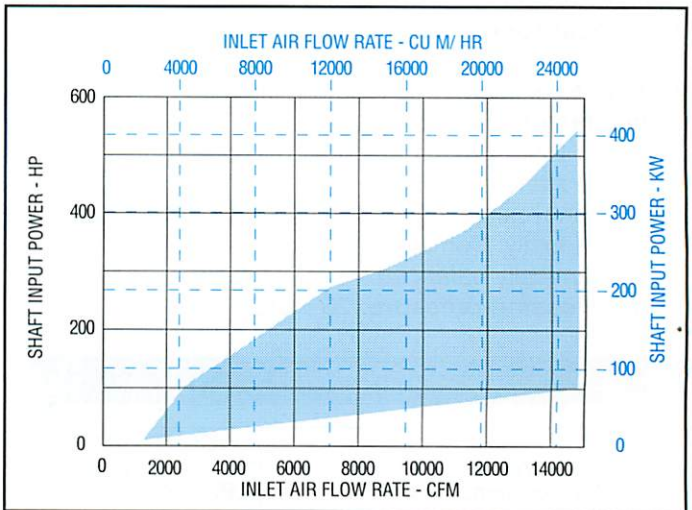
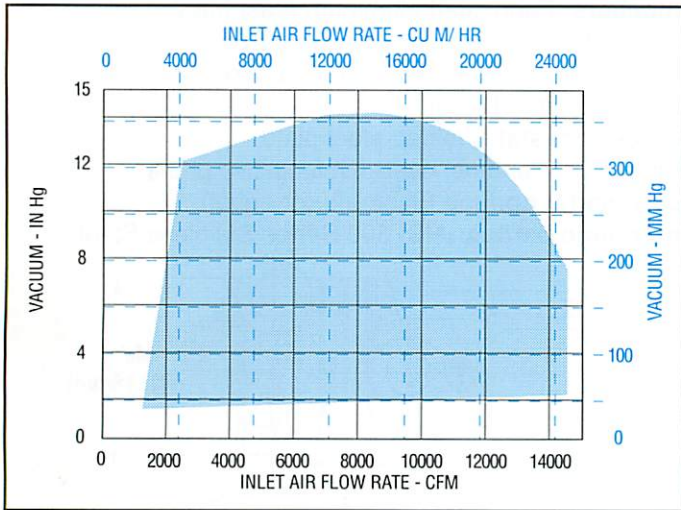
772

APPROXIMATE BLOWER PERFORMANCE



Inlet conditions: 14.7 PSIA (101.4 KPa), 68°F (20°C), 36% RH. Speed: 3550 RPM.

APPROXIMATE EXHAUSTER PERFORMANCE



Atmospheric conditions: 29.9" Hg (760 mm Hg), 68°F (20°C), 36% RH. Speed: 3550 RPM.



HOFFMAN AIR & FILTRATION SYSTEMS

6181 THOMPSON RD. • P.O. BOX 548 • E. SYRACUSE, NY 13057-0548

PHONE: (315) 432-8600 • FAX: (315) 432-8682

E-MAIL: hoffman.air@btrinc.com • WEB: <http://www.hoffmanair.com>

ISO 9001
REGISTERED



FM 30949

